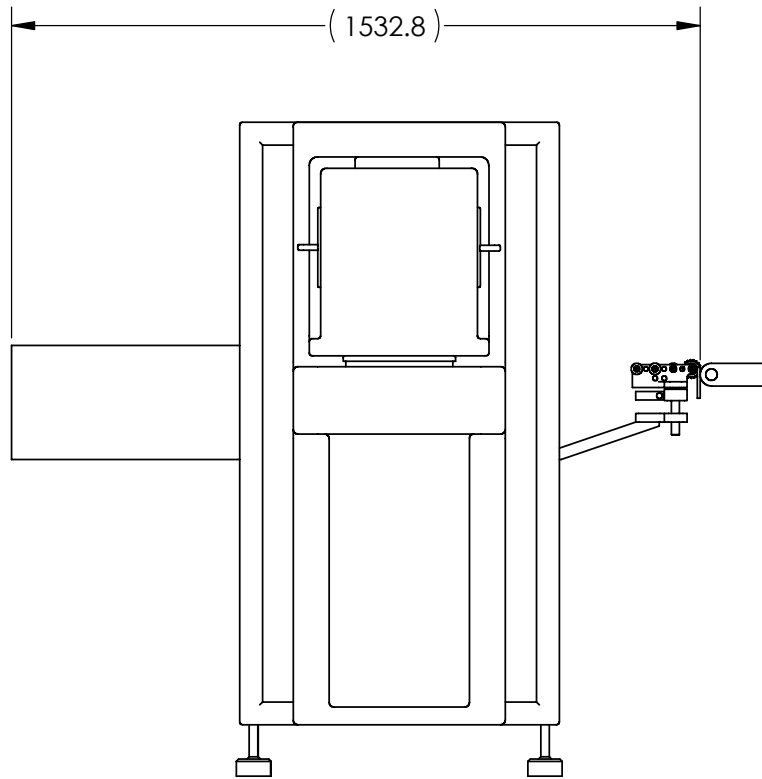


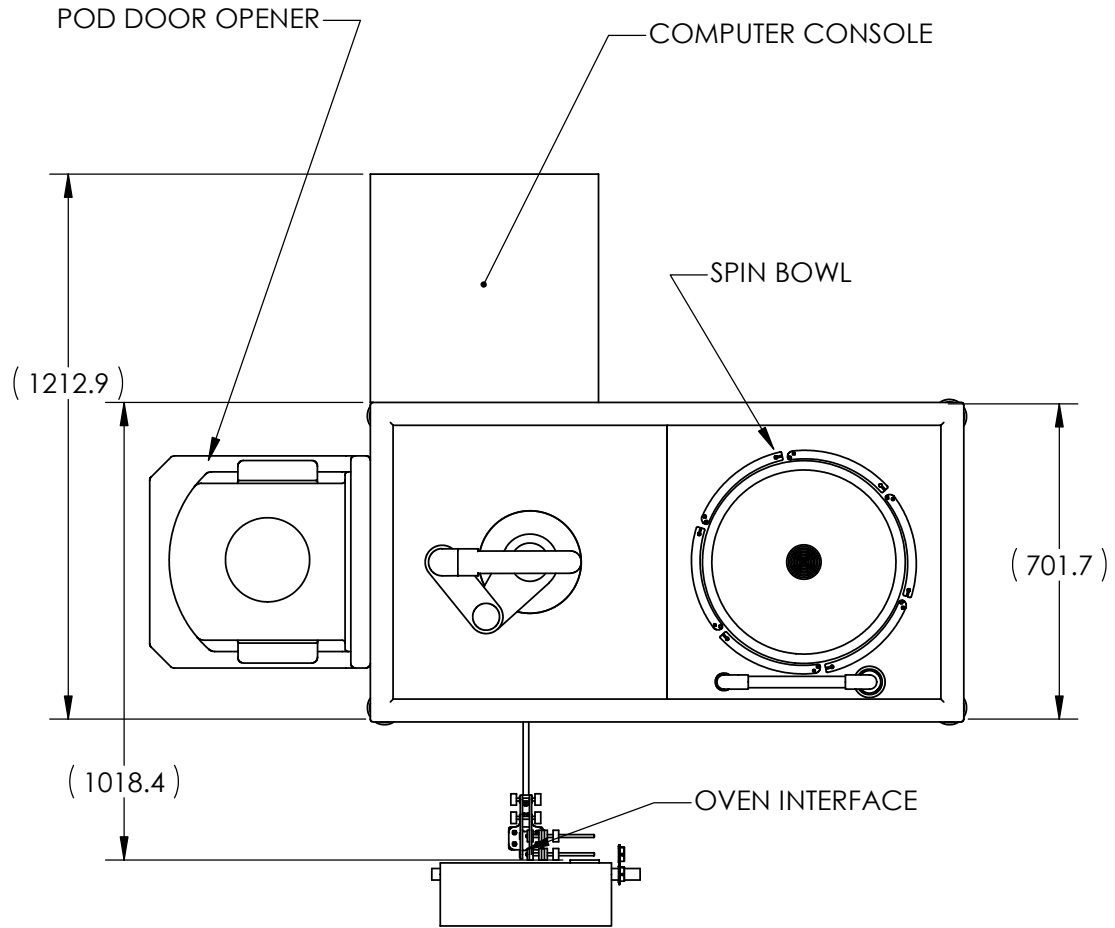
THIS DRAWING IS THE EXCLUSIVE AND CONFIDENTIAL PROPERTY OF Process Integration. THIS DRAWING IS FURNISHED IN AGREEMENT THAT IT OR ANY PART THEREOF WILL NOT BE REPRODUCED IN ANY MANNER OR DISCLOSED TO OTHERS WITHOUT THE EXPRESS WRITTEN CONSENT OF Process Integration.

<i>Process Integration</i> Semiconductor Equipment Solutions 75 W. Baseline Rd., Gilbert, AZ 85233		Title	
		MFD-300 DIMENSIONAL DRAWING	
Size	Document Number	Rev	
A	MFD-300	A	
Date:	11/05/02	Sheet	1 of 6



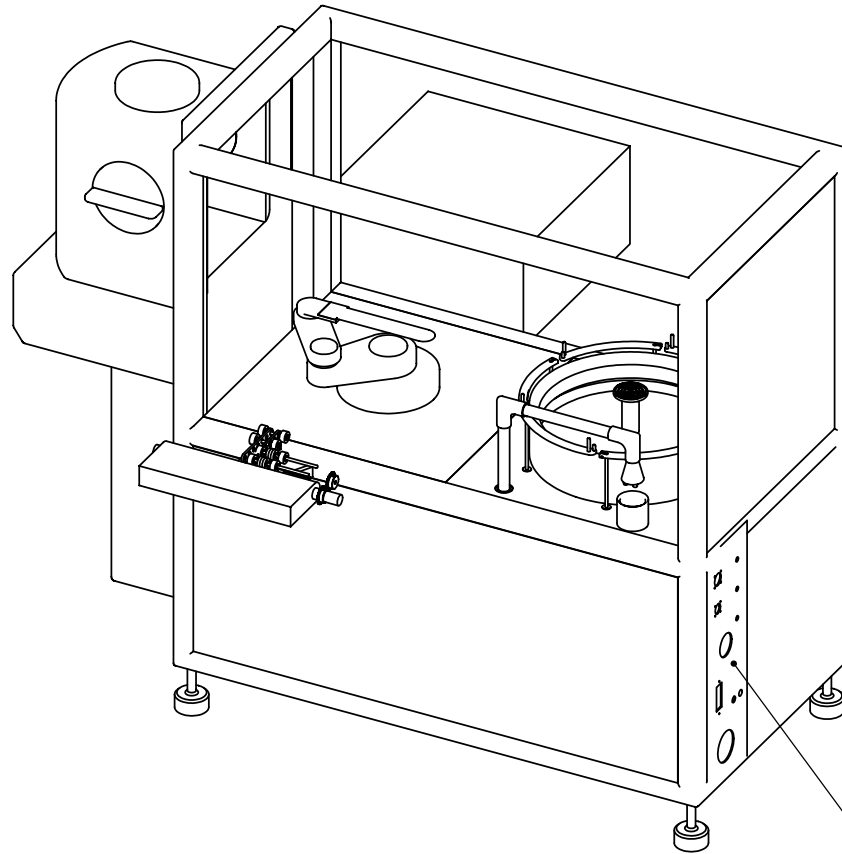
THIS DRAWING IS THE EXCLUSIVE AND CONFIDENTIAL PROPERTY OF Process Integration. THIS DRAWING IS FURNISHED IN AGREEMENT THAT IT OR ANY PART THEREOF WILL NOT BE REPRODUCED IN ANY MANNER OR DISCLOSED TO OTHERS WITHOUT THE EXPRESS WRITTEN CONSENT OF Process Integration.

<i>Process Integration</i> Semiconductor Equipment Solutions 75 W. Baseline Rd., Gilbert, AZ 85233			
		Title MFD-300 DIMENSIONAL DRAWINGS	
Size A	Document Number MFD-300	Rev A	
Date: 11/05/02	Sheet 2	of 6	



THIS DRAWING IS THE EXCLUSIVE AND CONFIDENTIAL PROPERTY OF Process Integration. THIS DRAWING IS FURNISHED IN AGREEMENT THAT IT OR ANY PART THEREOF WILL NOT BE REPRODUCED IN ANY MANNER OR DISCLOSED TO OTHERS WITHOUT THE EXPRESS WRITTEN CONSENT OF Process Integration.

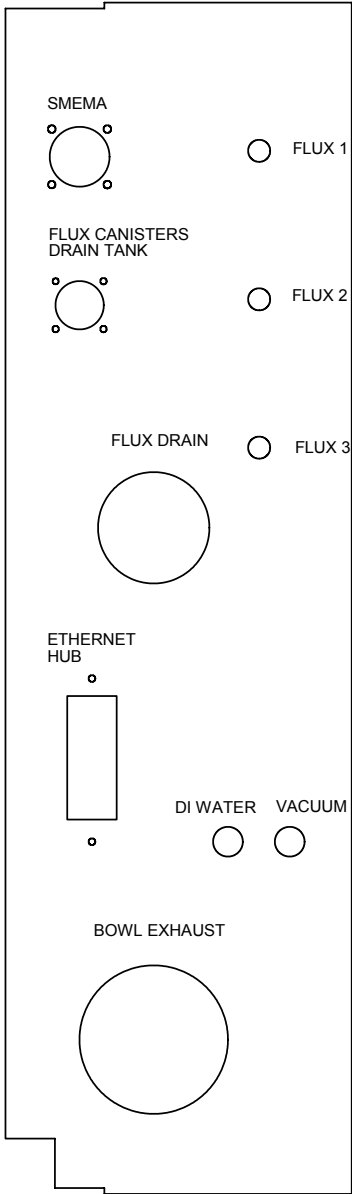
<i>Process Integration</i> Semiconductor Equipment Solutions 75 W. Baseline Rd., Gilbert, AZ 85233		Title	
		MFD-300 DIMENSIONAL DRAWINGS	
Size	Document Number	Rev	
A	MFD-300	A	
Date:	11/05/02	Sheet	3 of 6



FACILITIES CONNECTIONS

THIS DRAWING IS THE EXCLUSIVE AND CONFIDENTIAL PROPERTY OF Process Integration. THIS DRAWING IS FURNISHED IN AGREEMENT THAT IT OR ANY PART THEREOF WILL NOT BE REPRODUCED IN ANY MANNER OR DISCLOSED TO OTHERS WITHOUT THE EXPRESS WRITTEN CONSENT OF Process Integration.

<i>Process Integration</i> Semiconductor Equipment Solutions 75 W. Baseline Rd., Gilbert, AZ 85233			
		Title MFD-300 DIMENSIONAL DRAWINGS	
Size A	Document Number	Rev	A
Date: 11/05/02	Sheet 4	of	6

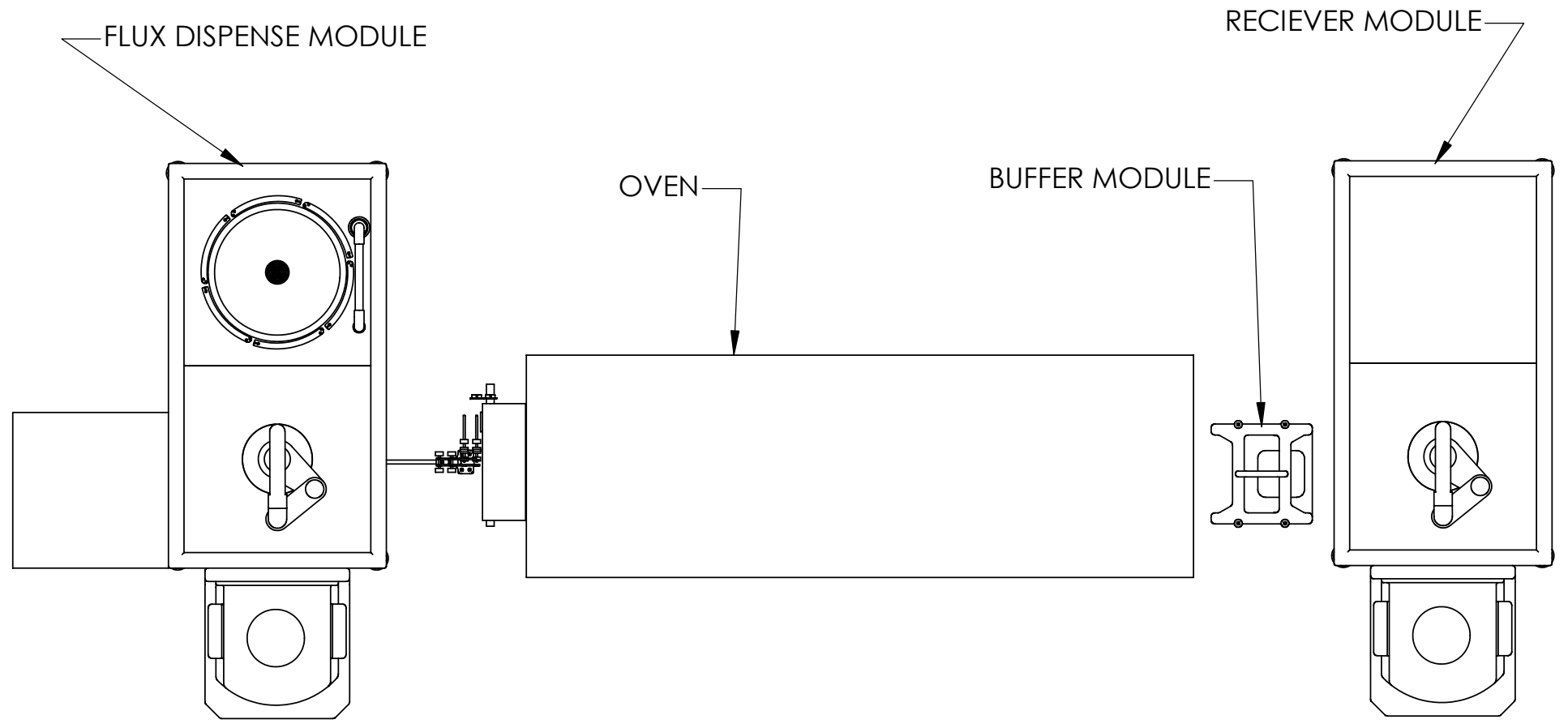


THIS DRAWING IS THE EXCLUSIVE AND CONFIDENTIAL PROPERTY OF Process Integration. THIS DRAWING IS FURNISHED IN AGREEMENT THAT IT OR ANY PART THEREOF WILL NOT BE REPRODUCED IN ANY MANNER OR DISCLOSED TO OTHERS WITHOUT THE EXPRESS WRITTEN CONSENT OF Process Integration.

Process Integration		Semiconductor Equipment Solutions 75 W. Baseline Rd., Gilbert, AZ 85233	
Title MFD-300 DIMENSIONAL DRAWINGS			
Size A	Document Number	FACILITIES PANEL	Rev A
Date:	11/05/02	Sheet 5	of 6

THIS DRAWING IS THE EXCLUSIVE AND CONFIDENTIAL PROPERTY OF Process Integration. THIS DRAWING IS FURNISHED IN AGREEMENT THAT IT OR ANY PART THEREOF WILL NOT BE REPRODUCED IN ANY MANNER OR DISCLOSED TO OTHERS WITHOUT THE EXPRESS WRITTEN CONSENT OF Process Integration.

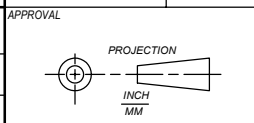
REVISIONS				
REV	DESCRIPTION	E.C.O.	DATE	BY/APP'D
REV	DESCRIPTION	E.C.O.	DATE	BY/APP'D



UNLESS OTHERWISE SPECIFIED DIMENSIONS ARE IN INCHES. TOLERANCES ARE: XX ± .01 XXX ± .005 XXXX ± .0020 ANGLES ± 0°30'	APPROVALS	DATE
	DRAWN	11/05/02
	DFT CHK	
	MFG CHK	

Process Integration
 Semiconductor Equipment Solutions
 75 W. BASELINE RD Ste E-32, GILBERT, AZ 85233

MATERIAL	APPROVAL
FINISH	



DESCRIPTION	MFD-300 DIMENSIONAL DRAWINGS		
SCALE	1:4	SIZE	A
FORMERLY		DRAWING NUMBER	
		SHEET	6 OF 6

REV A