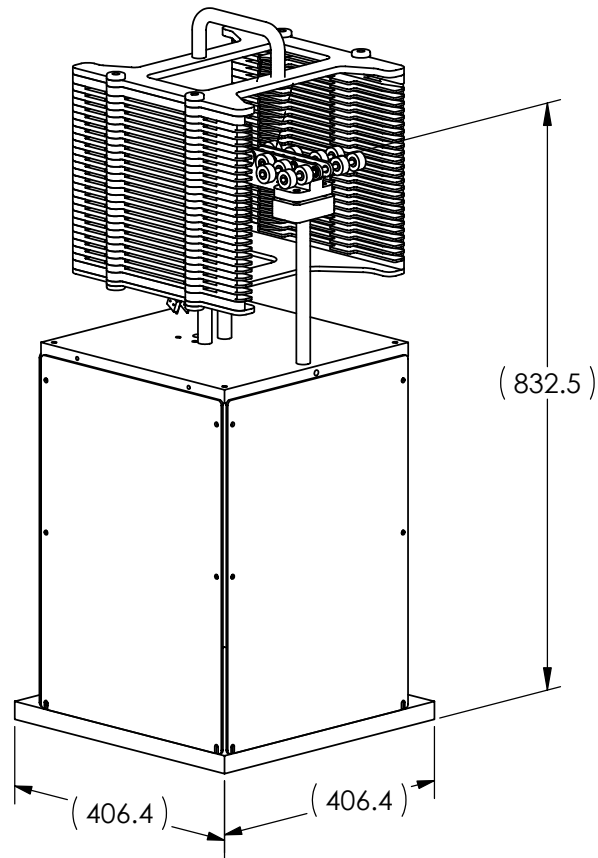


THIS DRAWING IS THE EXCLUSIVE AND CONFIDENTIAL PROPERTY OF Process Integration. THIS DRAWING IS FURNISHED IN AGREEMENT THAT IT OR ANY PART THEREOF WILL NOT BE REPRODUCED IN ANY MANNER OR DISCLOSED TO OTHERS WITHOUT THE EXPRESS WRITTEN CONSENT OF Process Integration.

<i>Process Integration</i> Semiconductor Equipment Solutions 75 W. Baseline Rd., Gilbert, AZ 85233			
		Title: BUFFER INDEXER DIMENSIONAL DRAWINGS	
Size: A	Document Number:	Rev: A	
Date: 11/05/02	Sheet: 1	of 2	



THIS DRAWING IS THE EXCLUSIVE AND CONFIDENTIAL PROPERTY OF Process Integration. THIS DRAWING IS FURNISHED IN AGREEMENT THAT IT OR ANY PART THEREOF WILL NOT BE REPRODUCED IN ANY MANNER OR DISCLOSED TO OTHERS WITHOUT THE EXPRESS WRITTEN CONSENT OF Process Integration.

Process Integration Semiconductor Equipment Solutions 75 W. Baseline Rd., Gilbert, AZ 85233			
		Title: BUFFER INDEXER DIMENSIONAL DRAWINGS	
Size: A	Document Number:	Rev: A	
Date: 11/05/02	Sheet 2	of 2	